

Electrical Specification

Power

220-240 VAC, 50 Hz.
Wire size: 1.5 Sq. mm with 600V insulation

Battery (Lead Acid only)

Charging Voltage : 28 VDC.
Charging Current : 0.5 Amps (Max)
System Quiescent Current : 80mA

Initiating Device Circuits (Zone Circuit)

All zones are Class B wiring
Normal Operating Voltage : Nominal 24 VDC
Alarm Current : 15 - 35mA
Short Circuit Current : 40mA Maximum
Loop resistance : 50 ohms Maximum
End-Of-Line Resistor : 4.7K, 1/4watt
Standby Current : 6.8mA
(2.4mA for Detectors)

Notification Appliance Circuits (Sounder / Strobe Circuit)

1) Supervised

Operating Nominal Voltage : 24 VDC
Operating Current : 0.75A (Max)
End-Of-Line Resistor : 4.7K, 1/4watt

2) Non - Supervised

Operating Nominal Voltage : 24 VDC
Operating Current : 0.3A (Max)
End-Of-Line Resistor : 4.7K, 1/4watt

Releasing Agent Circuit

Operating Nominal Voltage : 24 VDC
Solenoid output : 0.75A
End-Of-Line Resistor : 4.7K, 1/4watt (for Solenoid Output)

Remote Outputs

Fire Contact (C, NO, NC) : 220v AC/30v DC@ 1A
Fault Contact (C, NO, NC) : 220v AC/30v DC@ 1A
Cross Zoning Contact(C, NO, NC) : 220v AC/30vDC@1A

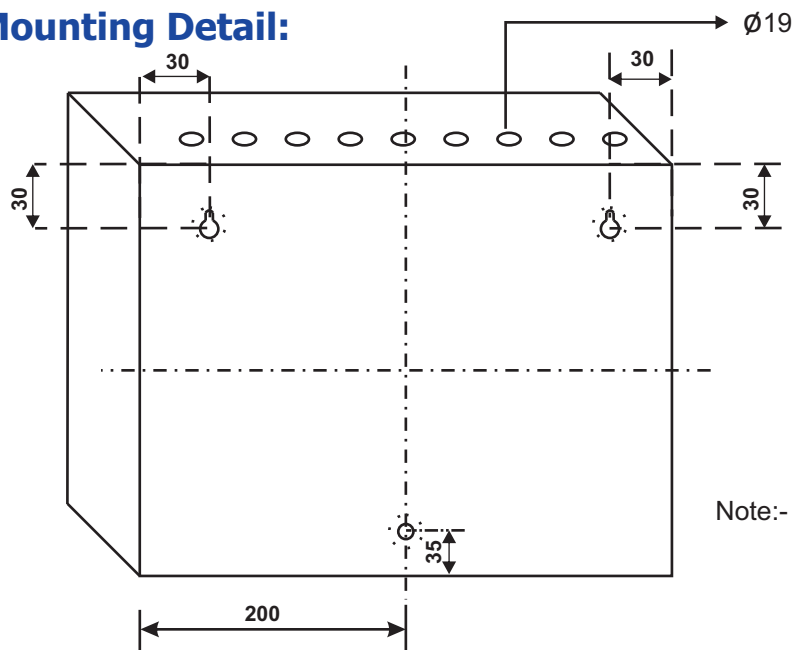
24 VDC Power For remote devices (Optional)

Operating Voltage : 24VDC, 500mA Max.

Operating Condition

Operating Temperature 0 - 49° C / 32-120° F.
Relative Humidity 93 ± 2% RH (non-condensing) at 32 ± 2° C / 90 ± 3° F.

Mounting Detail:



Note:- All Dimensions are in MM

Mechanical Specification:

Dimensions : (400W X 300H X 100D)
Color : Red / White
Construction : 18 Gauge (1.22mm) CRCA sheet with powder-coated Finish
IP Rating : IP50
Cable Entry : 09 x Ø19mm Knockout in top of the cabinet

