

features

- Direct decade addressing (01-99)
- Built-in electronics
- Fast response
- LED shows polling (optional) and activation
- Flush or surface mounting
- Up to 99 per loop (+99 analogue sensors)
- LPCB approved
- Simple to test
- Designed to the requirements of BS5839, Part 2
- IP67 rated model

The MI-MCP-GB is designed to provide a manual alarm interface to the Morley-IAS ZX series intelligent multi-protocol fire alarm control panels.

The units are fitted with a built-in monitoring module, which provides an interface to the detection loop. The address of the call point is simply "dialed in" using the rotary switches on the rear of the unit.

The call points may be used in most environments as a convenient and quick way of raising an alarm. It is generally installed by exit doors to be operated as people leave a building.

For surface mounting a M500KACGB, a matching plastic back box complete with cable terminations is used. If flush mounting is required a single gang, standard electrical knock-out box may be used in conjunction with a terminal tray for cable connection.

The MI-MCPW-GB is supplied with a back box and is suitable only for surface mounting.

A micro-switch within the unit is held "off" by the edge of the glass. When the glass is broken the switch is released and a signal is transmitted to the control panel where the alarm is raised. The glass is plastic coated to eliminate any danger of splinters causing injury.

A specialist test key (provided) may be pushed into the bottom of the unit to lower the glass and release the micro-switch, thus a full functional test is achieved.



Charles Avenue, Burgess Hill
West Sussex, RH15 9UF
United Kingdom

Tel: +44 (0) 1444 23 55 56
Fax: +44 (0) 1444 25 44 10
Email: sales@morleyias.co.uk
www.morley-ias.co.uk



Morley-IAS Addressable Manual Break Glass Call Point Data Sheet

173(0102)

mechanical

Operating temperature: - 10°C to 60°C
Humidity: 10% to 93% non-condensing

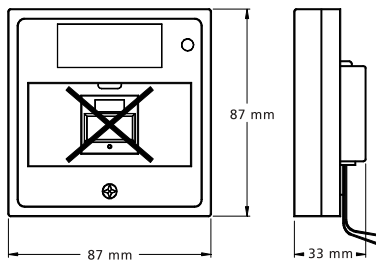
MI-MCP-GB:

Dimensions (HxWxD):

Surface: 87 x 87 x 52 mm

Flush: 87 x 87 x 33 mm

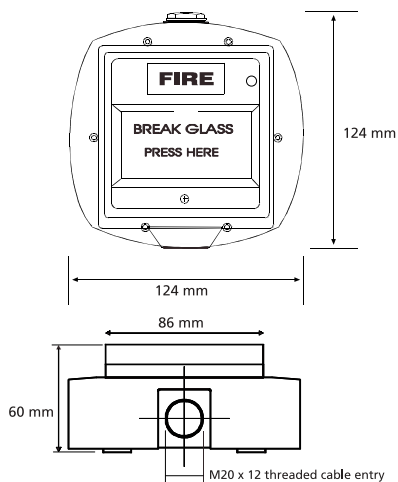
Weight: 125 gr.



MI-MCPW-GB:

Dimensions (HxWxD): 124 x 124 x 60 mm

Weight: 375 gr.



electrical

Operating voltage: 15 to 32 Vdc
Current consumption:
Stand by current: 200 µA @ 24 Vdc
LED current: 7 mA @ 24 Vdc

approvals



REF: 199c/01

part numbers

EN54

MI-MCP-GB

Addressable call point
(LPCB REF: 199c/01)

MI-MCPW-GB

Weather resistant (IP67)
addressable call point

accessories

PS115

Call point cover

PS037-M355XS

Call point cover seal
(pack of 5)

KG1X10

Call point glass
(pack of 10)

SR3T-PC/ABS

Call point back box
(surface)

ETT-P

Call point flush mounting
terminal tray

Note:

These units are not intended for use in hazardous locations.

Your Local Distributor