

## DH-HAC-HFW1100S

1Megapixel 720P Cost-effective Water-proof Mini IR HDCVI Camera



### Features

- 1/2.9" 1Megapixel CMOS
- 25/30fps@720P
- High speed, long distance real-time transmission
- Day/Night(ICR), AWB, AGC, BLC
- 6mm fixed lens (2.8 mm, 3.6mm, 8mm optional)
- Max. IR LEDs length 20m, Smart IR
- IP66, DC12V

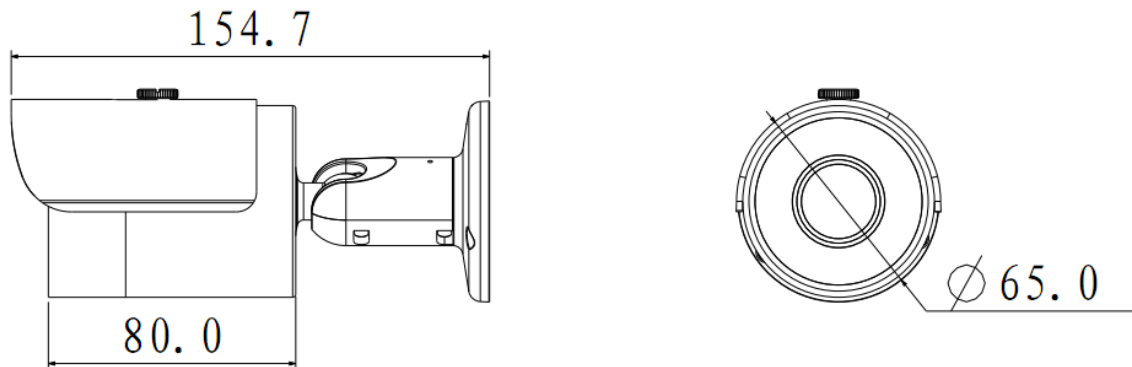
## DH-HAC-HFW1100S

### Technical Specifications

Model	DH-CA-HFW1100SP	DH-CA-HFW1100SN
<b>Camera</b>		
Image Sensor	1/2.9" 1Megapixel CMOS	
Effective Pixels	1280(H)×720(V)	
Electronic Shutter	1/50s~1/100,000s	1/60~1/100,000s
Video Frame Rate	720@25 fps	720@30 fps
Synchronization	Internal	
Min. Illumination	0.01Lux@F1.2(0Lux IR LED on)	
Video Output	1-channel BNC HDCVI high definition video output	
<b>Camera Features</b>		
Max. IR LEDs Length	20m, Smart IR	
Day/Night	Auto(ICR)/B&W/Color	
Noise Reduction	2D	
<b>Lens</b>		
Focal length	6mm (2.8 mm, 3.6mm, 8mm optional)	
Mount Type	M12	
<b>General</b>		
Power Supply	DC12V±10%	
Power Consumption	Max 3.5W	
Working Environment	-30°C~+60°C/ Less than 95%RH (no condensation)	
Transmission Distance	Over 500m via 75-3 coaxial cable	
Ingress Protection	IP66	
Dimensions(W×D×H)	Φ65mm x154.7mm	
Weight	380g	
Others	Default: bracket included	

## DH-HAC-HFW1100S

### Dimensions (mm)



### Accessories (optional)



---

### Dahua Technology Co., Ltd.

1187 BinAn Road, Binjiang District, Hangzhou, China

Tel: +86-571-87688883

Fax: +86-571-87688815

Email: [overseas@dahuatech.com](mailto:overseas@dahuatech.com)

[www.dahuasecurity.com](http://www.dahuasecurity.com)

\*Design and specifications are subject to change without notice.

© 2013 Dahua Technology Co., Ltd.